

SIMPLE CIRCUIT

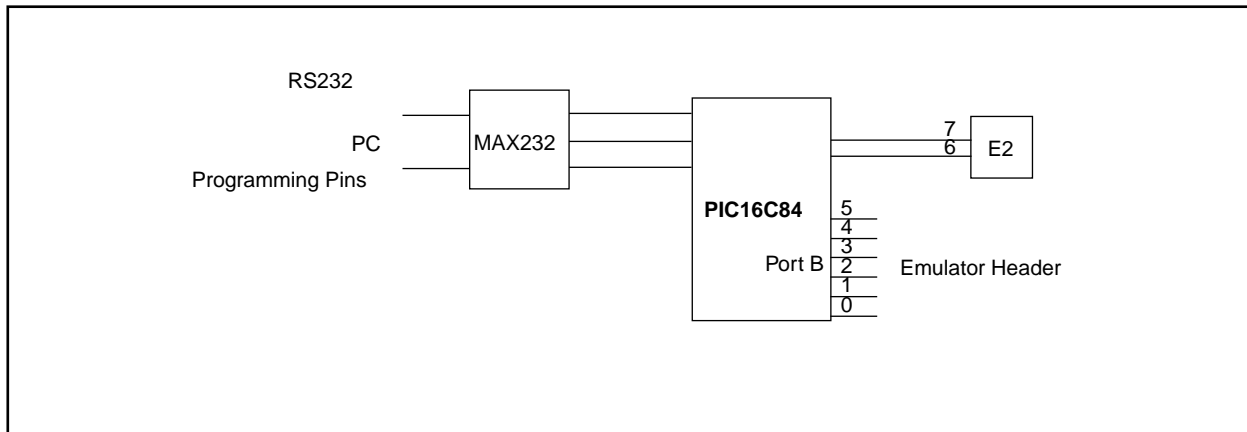
\$5 Development System for PIC12C508

Author: James Twomey
Eltech

INTRODUCTION

Use a PIC16C84 to develop a \$5 Emulator for a PIC12C508. Firmware downloaded to PIC16C84 which accepts commands from PC to step, reset, run # of steps. Software resides on the PC.

FIGURE 33: BLOCK DIAGRAM



Microchip Technology Incorporated, has been granted a nonexclusive, worldwide license to reproduce, publish and distribute all submitted materials, in either original or edited form. The author has affirmed that this work is an original, unpublished work and that he/she owns all rights to such work. All property rights, such as patents, copyrights and trademarks remain with author.

Simple Circuit

NOTES: